



Europress® 316 Stainless Steel 3-Piece Press-Fit Ball Valves

Europress® 316 Stainless Steel 3-Piece Press-Fit Ball Valves

Design

The Europress 316 Stainless Steel Press-Fit Ball Valves are a high-quality, durable, and reliable valve providing a fast and easy way to connect an isolation point into a Europress pipeline, eliminating the need for any threaded connections around the valve. They have an easy action creating a positive shut-off and their 3-Piece design gives the flexibility for ongoing servicing of the valve.

Key Features

- 316 Stainless Steel Construction
- Stainless Steel Lever Handle
- Lockable Handle to prevent tampering
- Valves 15mm- 88.9mm are full bore
- 3-Piece design enabling easy servicing
- Red-replacement handle sleeves for higher temperature applications are available
- Spindle extensions available to facilitate insulating around the valve
- Easy valve action for a positive shut-off

Specifications

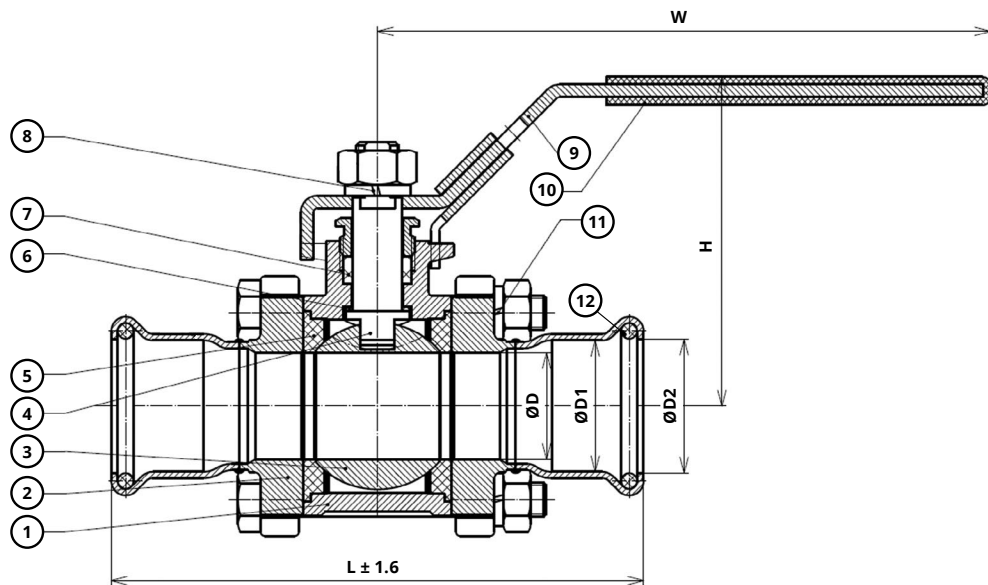
Pressure Rating: PN 16

Temperature Rating: -20°C - +95°C

Applications

Hot & Cold Water, Potable Water, Fire Sprinklers, Compressed Air, Industrial Gases, Chemical Lines, Oil & Lubricant Lines, Vacuum, Glycol

Material Specifications

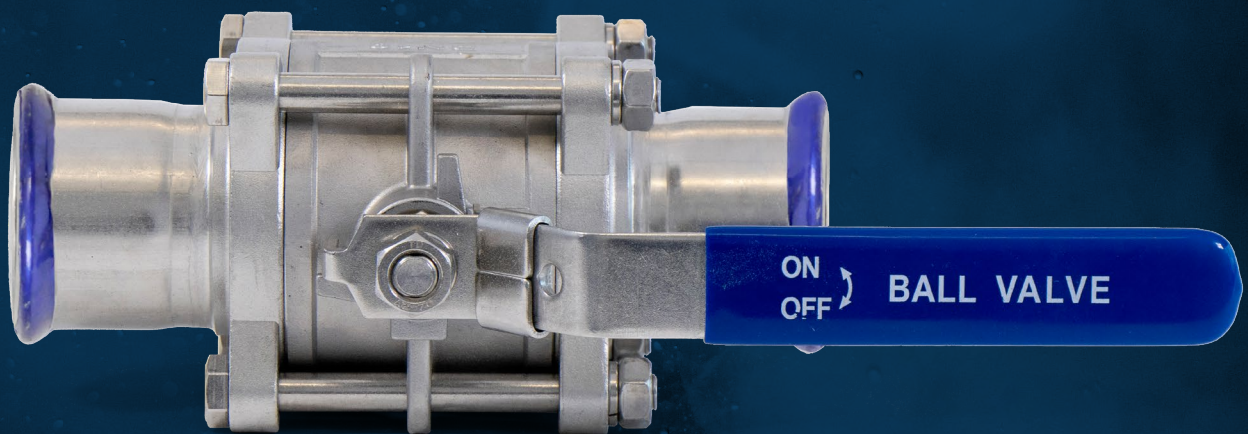


Number	Part	Material
1	Valve Body	A351- CF8M
2	Welded Bonnet	A351- CF8M
3	Sphere	A182- F316
4	Stem	316 Stainless Steel
5	Valve Seat	PTFE
6	Thrust Washer	PTFE
7	Studding	PTFE
8	Spring Washers	304 Stainless Steel
9	Handle	304 Stainless Steel
10	Handle Cover	PVC
11	Spring Washers	304 Stainless Steel
12	O-Rings	FKM/EPDM

Dimensional Specifications

Size	15	22	28	35	42	54	76.1	88.9	108
D	12.5	20	25	32	38	50	65	76	94
D1	15.2	22.2	28.2	35.3	42.3	54.4	76.7	89.5	108.8
D2	15.9	23	28.9	36	43	55	78	91	111
L	103	118	135	150	168	200	273	311.5	368.5
H	51	65	77	81.5	94.5	102	119	126	169
W	104	126	144	144	189	189	223	223	298

Notes: A 70mm spindle extension is also available for these valves to allow for insulating the valve in-line.
Product codes for these are: UBVHE



Contact us to discuss your pipeline project 0800 387 677



Auckland | New Plymouth | Wellington

Head Office: 90 Hurlstone Drive, New Plymouth

e: support@waterworks.nz

www.waterworks.nz